

# MAJOR PROJECTS

INFRASTRUCTURE & TUNNEL / ENVIRONMENT / ENERGY / OIL & GAS



## ENERGY

THERMAL, NUCLEAR AND HYDRAULIC POWER STATIONS



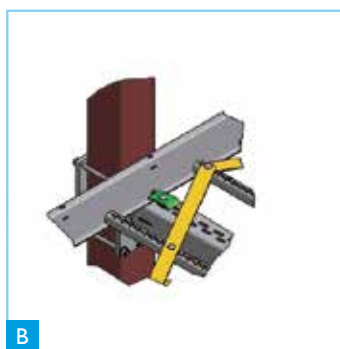
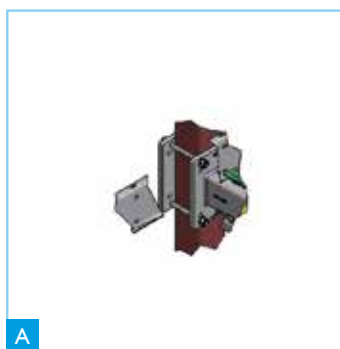
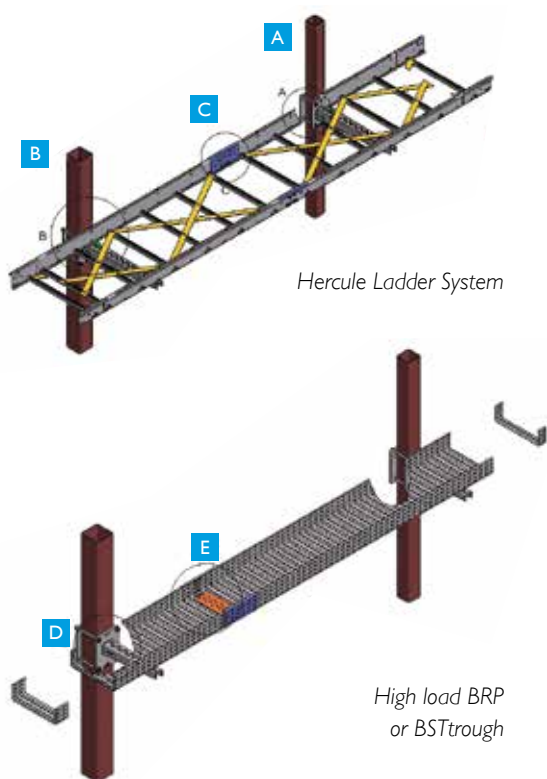
### A SELECTION OF OUR PROJECTS:

Flamanville EPR, EDF, France ■ Building B 4 1 1, French Atomic Energy Commission Valduc, France ■ Nuclear Power Station: 900-1300-1400 MW, EDF, France ■ Bouchain Thermal Power Station, EDF, France ■ Aberthaw, UK ■ Fiddlers Ferry, UK ■ Longanet, UK ■ Kilroot, Ireland ■ Kenitra Thermal Power Station, Morocco ■ Mohammedia Station, ELCOR, Morocco ■ Sub-stations: Jubail, Saudi Arabia ■ Shuquaiq, Saudi Arabia ■ Mineral treatment: Georges BESSE II Plant, AREVA, France ■ COMURHEX 2, AREVA, France.

# The most commonly used types of support system

## Installation examples

Construction of products and "tablet" specific mountings for the Hercule ladder system and high load troughs for seismic areas



**A:** Certified non-slip mountings

**B:** High load seismic console panels for Hercule ladder system

**C:** Reinforced fish plate for Hercule ladder system

**D:** High load seismic console panels for BRP or BST reinforced troughs

**E:** Reinforced fish plates and base junctions for BRP or BST troughs

